



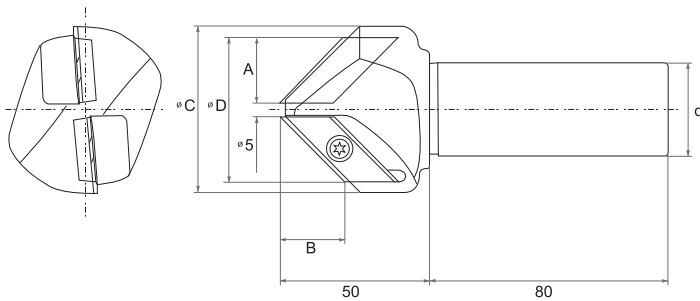
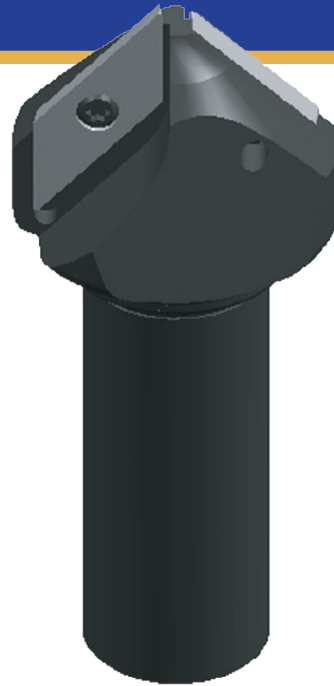
5500 Tomken Road, Unit #2  
Mississauga, Ontario L4W 2Z4  
sales@caliberindustrial.com

MISSISSAUGA 905.624.5524  
TORONTO 416.626.7151  
FAX 416.626.7170  
TOLL-FREE 1.800.465.5743



# SSANGYONG CHAMFER MILL

Designed for large chamfers and Countersinking



**NEW**  
**SCW300**  
TiALN Coated

Up to  
**50%**  
LONGER  
TOOL LIFE

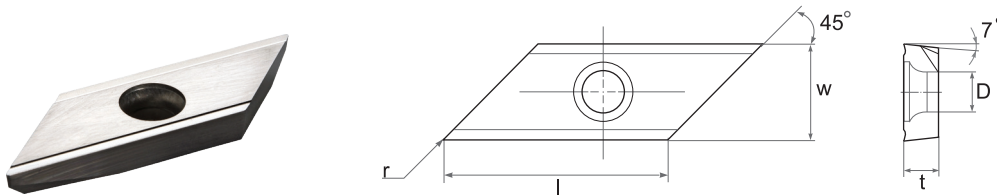
than TiN coated inserts.

PARTNUMBER	DIMENSIONS						NUMBER OF TEETH	PRICE
	INCL. ANGLE	A	B	ØC	ØD	d		
CSC 0503 1R-30A	60°	0.570"	1.004"	1.574"	1.340"	1.000"	1	\$209.00
CSC 0503 1R0-41-A	82°	0.783"	0.859"	2.200"	1.690"	1.000"	2	\$259.00
CSC 0503 1R0-45-A	90°	0.826"	0.807"	2.200"	1.850"	1.000"	2	\$259.00
CSC 0503 1R0-60-A	120°	1.003"	0.570"	2.830"	2.200"	1.000"	2	\$299.00

All items in stock at Caliber

## Inserts

- TX520** - TiN cermet for finishing applications
- SCW200** - Coated carbide grade for heavier duty applications
- SXW300** - TiALN coated carbide for higher speed applications



INSERT	DIMENSIONS					GRADE & PRICE		
	l	w	t	D	r	TX520	SCW200	SCW300
XCET 031040 ER	0.866"	0.500"	0.177"	0.220"	0.016"	\$39.00	\$49.00	\$55.00

Spare Screws  
**SDT050**  
**\$5.99**  
each

Inserts sold in  
**PACKS**  
OF  
**FIVE**